



User's Manual

1404520

Version 1.0

Copyrights

This manual is copyrighted and all rights are reserved. It does not allow any non authorization in copied, photocopied, translated or reproduced to any electronic or machine readable form in whole or in part without prior written consent from the manufacturer.

In ~~general~~, the manufacturer will not be liable for any direct, indirect, special, incidental or consequential damages arising from the use of inability to use the product or documentation, even if advised of the possibility of such damages. The manufacturer keeps the rights in the subject to change the contents of this manual without prior notices in order to improve the function design, performance, quality and reliability. The author assumes no responsibility for any errors or omissions, which may appear in this manual, nor does it make a commitment to update the information contained herein.

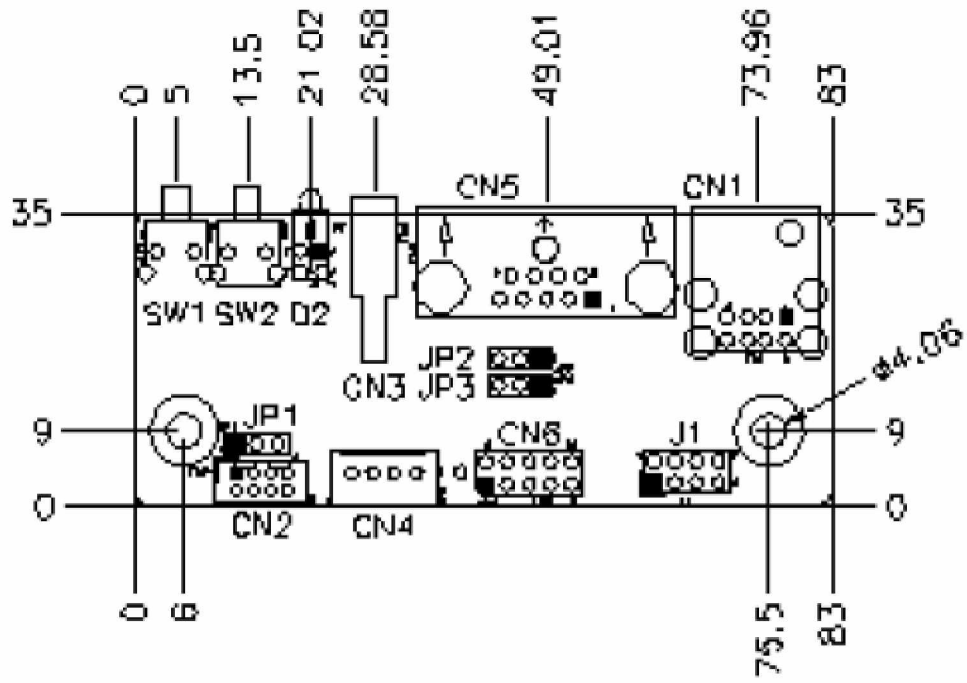
Trademarks

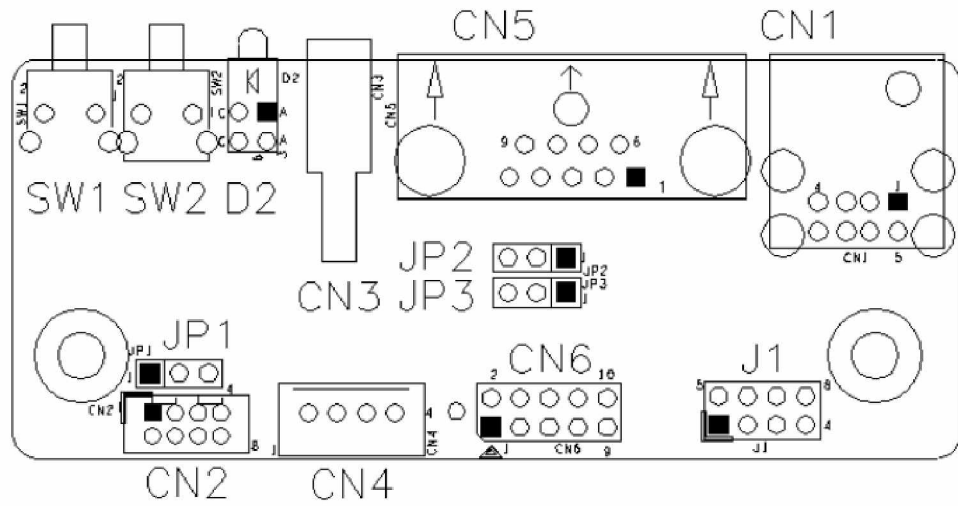
Intel is a registered trademark of Intel Corporation.

Award is a registered trademark of Award Software, Inc.

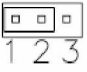
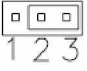
All other trademarks, products and or product's name mentioned herein are mentioned for identification purposes only, and may be trademarks and/or registered trademarks of their respective companies or owners.

Chapter 1	1404520 Control Board Dimensions.....	4
Chapter 2	1404520 Control Board Jumpers and Connectors.....	5
Chapter 3	1404520 Control Board Jumpers and Connectors.....	8





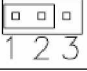

JP1: Power-on Mode Select

JP1	Setting	Power-on Mode
	Pin 1-2 Short/Closed	Power System On Automatically (Default)
	Pin 2-3 Short/Closed	Power System On Manually



Note:

The system will be automatically powered on after AC power supplied, if the Pin 1 and Pin 2 of JP1 are shorted.

JP2: CN5 Pin 9 Select

JP2	Setting	CN5 Pin 9
	Pin 1-2 Short/Closed	General Input 3 (Default)
	Pin 2-3 Short/Closed	+5V

JP3: CN5 Pin 4 Select

JP3	Setting	CN5 Pin 4
	Pin 1-2 Short/Closed	General Output 3 (Default)
	Pin 2-3 Short/Closed	+5V

J1: USB Connector

Signal Name	Pin#	Pin#	Signal Name
+5V / 5VDUAL	1	5	USB Ground
USB Port 0 -	2	6	USB Port 1 +
USB Port 0 +	3	7	USB Port 1 -
	4	8	+5V / 5VDUAL

Power LED Indicator

Status	Power LED
Power On	Green LED Lit
Standby	Orange LED lit

CN2: Miscellaneous Signal Connector

Signal Name	Pin#	Pin#	Signal Name
Active-low Power Switch	1	5	5VSB / 5VDUAL
Active-high Power Switch	2	6	Power Good of +5V
Reset Switch	3	7	Cathode of HDD LED
Ground	4	8	Anode of HDD LED

Notes:

- ✦ The Active-low Power Switch signal is particularly designed to take the place of the drive-low power switch.
- ✦ The Active-high Power Switch signal is particularly designed to take the place of the drive-high power switch.
- ✦ Either the Pin 5 of CN2 or the Pin 1/8 of J1 must be supplied with 5VSB / 5VDUAL to have the 1404520 Control Board worked properly.
- ✦ The Power Good of +5V signal is especially designed to generate a Power Good signal for the mother board which works with the power supply that don't have Power Good signal output.
- ✦ Due to the Anode of HDD LED (Red) has already been pulled up to the on-board +5V power, thus it should be left opened.

CN3: +12V Outlet

Pin #	Signal Name
1	+12V
2	Ground

CN4: Mini Power Connector

Pin #	Signal Name
1	+5V
2	Ground
3	Ground
4	+12V

CN5: General Purpose Input / Output Terminals

Signal Name	Pin#	Pin#	Signal Name
General Purpose Output 0	1	2	General Purpose Output 1
General Purpose Output 2	3	4	General Purpose Output 3 / +5V
Ground	5	6	General Purpose Input 0
General Purpose Input 1	7	8	General Purpose Input 2
General Purpose Input 3 / +5V	9	-	

CN6: General Purpose Input / Output Connector

Signal Name	Pin#	Pin#	Signal Name
Ground	1	2	+5V
General Purpose Output 3	3	4	General Purpose Output 1
General Purpose Output 2	5	6	General Purpose Output 0
General Purpose Input 3	7	8	General Purpose Input 1
General Purpose Input 2	9	10	General Purpose Input 0

Any advice or comments about our products and service, or anything we can help you with please don't hesitate to contact with us. We will do our best to support you for your products, projects and business.

Global American Inc.

Address: 17 Hampshire Drive
Hudson, NH 03051

TEL: Toll Free (U.S. Only) 800-833-8999
(603)886-3900

FAX: (603)886-4545

Website: <http://www.globalamericaninc.com>

E-Mail: salesinfo@globalamericaninc.com

