

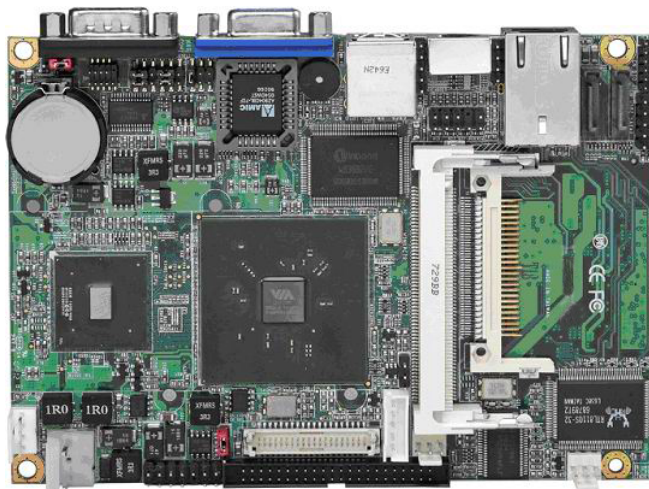


integration with integrity

User's Manual

3.5 Inch MiniBoard 3302030

Version 1.0, May 2007



Copyrights

This manual is copyrighted and all rights are reserved. It does not allow any non authorization in copied, photocopied, translated or reproduced to any electronic or machine readable form in whole or in part without prior written consent from the manufacturer.

In general, the manufacturer will not be liable for any direct, indirect, special, incidental or consequential damages arising from the use of inability to use the product or documentation, even if advised of the possibility of such damages. The manufacturer keeps the rights in the subject to change the contents of this manual without prior notices in order to improve the function design, performance, quality and reliability. The author assumes no responsibility for any errors or omissions, which may appear in this manual, nor does it make a commitment to update the information contained herein.

Trademarks

Intel is a registered trademark of Intel Corporation.

Award is a registered trademark of Award Software, Inc.

All other trademarks, products and or product's name mentioned herein are mentioned for identification purposes only, and may be trademarks and/or registered trademarks of their respective companies or owners.

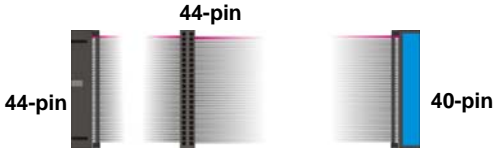
Packing List

Please check the package before you starting setup the system

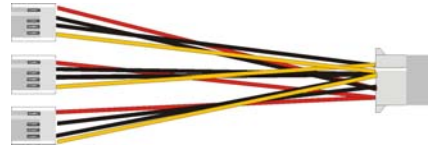
Hardware:

3302030 miniboard x 1

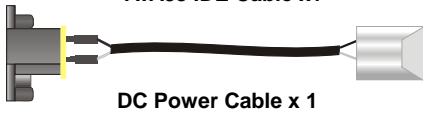
Cable Kit:



ATA33 IDE Cable x1



1 to 3 power output cable



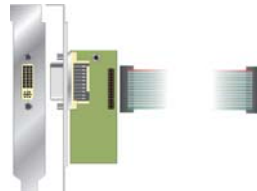
DC Power Cable x 1



SATA Power Cable x 1



PS/2 Keyboard & Mouse Cable x 1



DVI module with bracket x1

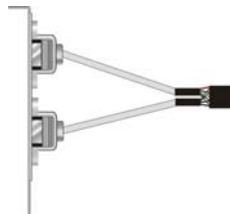


SATA Cable x 2

(3302030B Only)



Audio Port Cable x 1



USB Cable x 1



COM Port Cable x 1

Printed Matters:

Driver CD x 1 (including User's Manual)

Index

Chapter 1 <Introduction>	7
1.1 <Product Overview>.....	7
1.2 <Product Specification>	8
1.3 <Mechanical Drawing>.....	10
1.4 <Block Diagram>.....	11
Chapter 2 <Hardware Setup>	12
2.1 <Connector Location>.....	12
2.2 <Jumper Reference>	14
2.3 <Connector Reference>.....	15
2.3.1 <Internal Connector>.....	15
2.3.2 <External Connector>.....	15
2.4 <CPU and Memory Setup>	16
2.4.1 < CPU>	16
2.5 <CMOS ATX Setup>	17
2.6 <Enhanced IDE & CF interface>.....	18
2.7 <Serial ATA Interface>	19
2.9.1 <Analog VGA Interface>	20
2.9.2 <Digital Display>.....	21
2.9.3 <DVI Interface >	25
2.10 <Onboard Audio Interface>.....	26
2.11 <USB2.0 Interface>.....	27
2.12 <GPIO Interface>	29
2.13 <Serial Port Jumper Setting >.....	30
2.15.1 <Power Input>	32
Remark: DC input voltage range 8~24V	32
2.14.2 <Power Output>	33
2.14.3 <Fan Connector>.....	33
2.15 <Indicator and Switch>.....	34

Chapter 3 <System Setup>	36
3.1 <Display Configuration>	36
Appendix A <I/O Port Pin Assignment>	41
A.1 <IrDA Port>	41
A.2 < CRT Port >	41
A.3 <Serial ATA Port>	41
A.4 <Serial Port>	42
A.5 <LAN Port>	42
Appendix B <System Resources>	43
Contact Information	48

(The Page is Left For Blank)

Chapter 1 <Introduction>

1.1 <Product Overview>

3302030 is the 3.5 inches embedded miniboard based on VIA CX700M platform, with onboard VIA Eden 1G processor, VGA, LAN, Audio, USB2.0, CF, LVDS. The board provides economic fanless solution for multimedia applications.

VIA CX700M Chipset

The board integrates VIA CX700M, to provide built-in UniChrome Pro 3D / 2D Graphics with MPEGII/MPEG4 decoder, and supports DDR400/533 memory up to 1G of capacity. The CX700M has Ultra V-Link Host interface with 1 GB/sec total bandwidth to enhance the system performance.

18/24-bit LVDS LCD interface

The board provides onboard 18/24-bit LVDS LCD interface, supports up to 1600 x 1200 of UXGA high resolution.

Flexible Extension Interface

The board also provides Compact Flash Type II socket and two mini-PCI socket.

1.2 <Product Specification>

General Specification

Form Factor	3.5 inches embedded miniboard
CPU	Embedded VIA V4 Eden 1G processor Front side bus: 400MHz Fanless with heatsink only
Memory	1 x 200-pin DDR2 400/533 SO-DIMM SDRAM up to 1GB Unbuffered, none-ECC memory supported only
Chipset	VIA CX700M
BIOS	Phoenix-Award v6.00PG 4Mb PnP flash BIOS
Green Function	Power saving mode includes doze, standby and suspend modes. ACPI version 1.0 and APM version 1.2 compliant
Watchdog Timer	System reset programmable watchdog timer with 1 ~ 255 sec./min. of timeout value
Real Time Clock	CX700M integrated RTC with lithium battery
Enhanced IDE	Enhanced UltraDMA133 IDE interface supports dual channels and up to 2 ATAPI devices One 44-pin IDE port onboard
Serial ATA	CX700M integrates 2 Serial ATA interfaces (No RAID Function) Up to 300MB/s of transfer rate

Multi-I/O Port

Chipset	VIA CX700M with Winbond® W83697HG controller
Serial Port	One RS-232/422/485 serial port
USB Port	Two external & two internal Hi-Speed USB 2.0 ports with 480Mbps of transfer rate
IrDA Port	One IrDA compliant Infrared interface supports SIR
K/B & Mouse	PS/2 keyboard and mouse port
GPIO	One 12-pin Digital I/O connector with 8-bit programmable I/O interface

VGA Display Interface

Chipset	VIA CX700M built-in S3 Graphics UniChrome Pro IGP graphics core
Core Frequency	200MHz
Memory	BIOS selectable 16/32/64/128MB shard with system memory
Display Type	CRT, LCD monitor with analog display
Connector	External DB15 female connector on rear I/O panel

LCD Interface

Chipset	VIA CX700M transmitter
Interface	18/24-bit LVDS interface 12V backlight inverter connector

Panel voltage 3.3V/5V jumper selectable

Ethernet Interface

Chipset	Realtek RTL8110S-32 Gigabit Ethernet controller
Type	10/100/1000 Base-TX auto-switching Fast Ethernet Full duplex, IEEE802.3U compliant
Connector	External RJ45 connectors with LED on rear I/O panel

Audio Interface

Chipset	VIA VT1708A
Interface	2 channel HD audio with Line-out and MIC-in
Connector	External Audio phone jack for Line-out Onboard audio connector with pin header Onboard CD-IN connector

Expansive Interface

Mini-PCI	2 x 32-bit 5V/3.3V Mini-PCI socket
----------	------------------------------------

Solid State Disk

DOM	IDE1 supports 44-pin DOM (DiskOnModule)
CompactFlash	1 x CompactFlash Type 2 socket

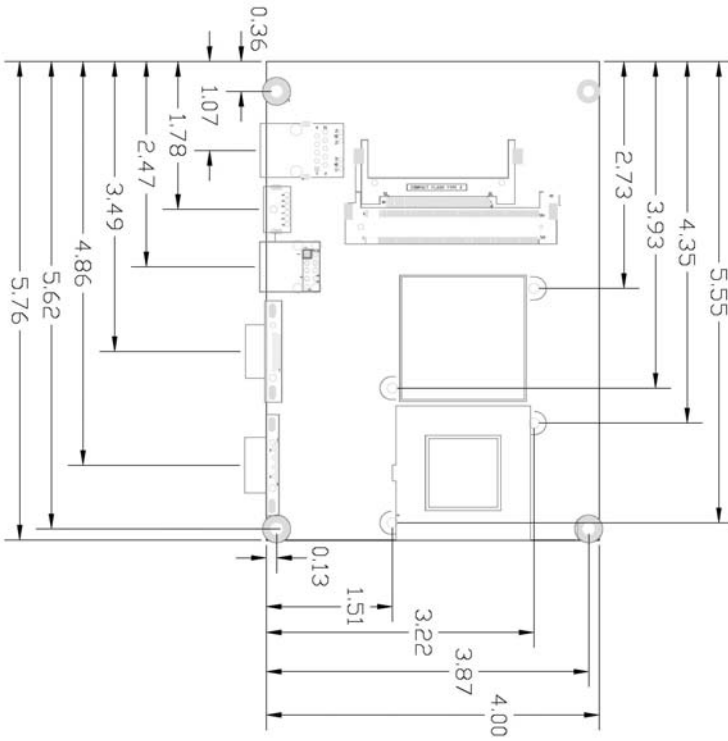
Power and Environment

Power Requirement	DC 8V~24V input 1 x 2-pin DC_IN connector onboard
Dimension	146 (L) x 101 (H) mm
Temperature	Operating within 0 ~ 60°C (32 ~ 140°F) Storage within -20 ~ 85°C (-4 ~ 185°F)

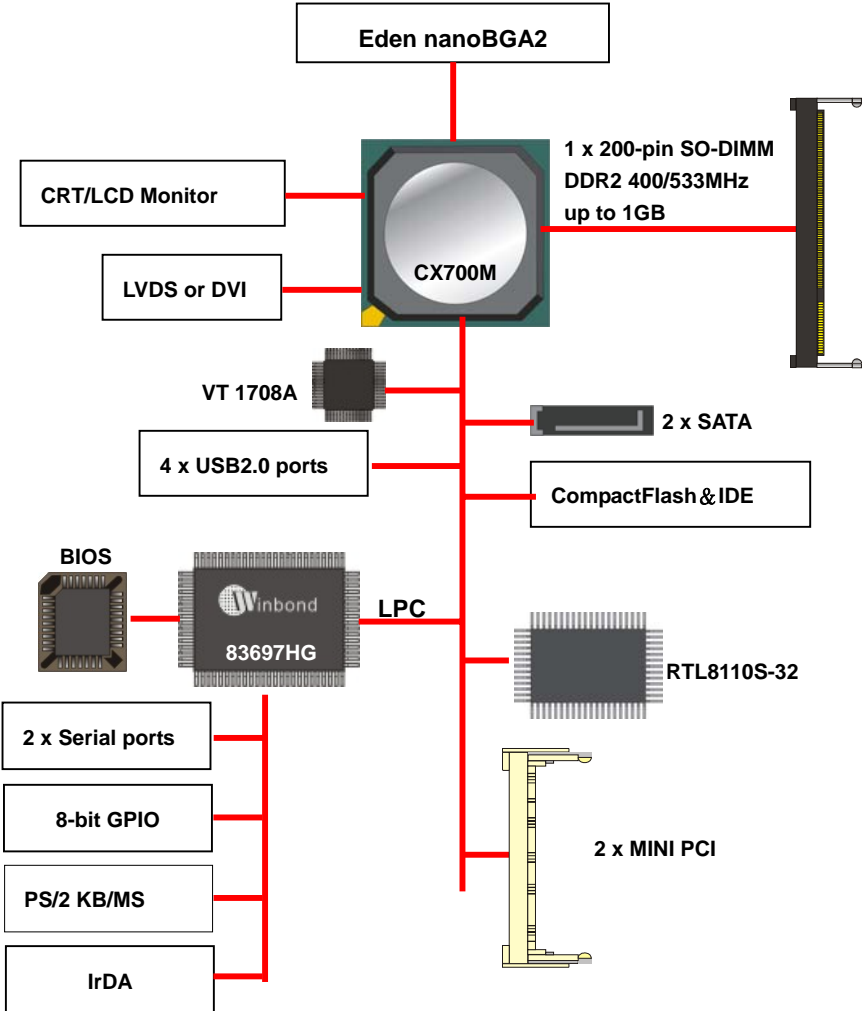
Ordering Code

3302030B	Onboard VGA, 1x Gigabit LAN, 4 x USB2.0, 1 x CF, 2 x MinPCI, HD Audio, 1 x Irda, DVI and HDTV (optional)
3302030A	Onboard VGA, 1x Gigabit LAN, 4 x USB2.0, 1 x CF, 2 x MinPCI, HD Audio, 1 x Irda, LVDS and HDTV (optional)

1.3 <Mechanical Drawing>



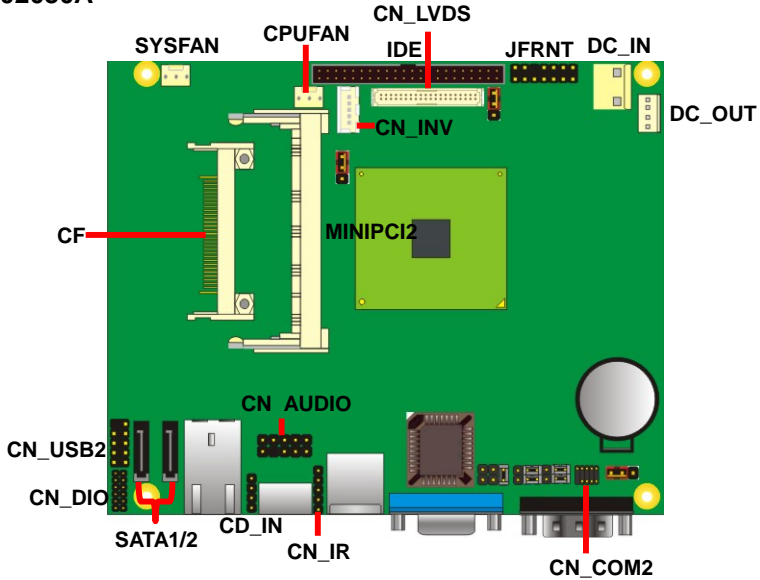
1.4 <Block Diagram>



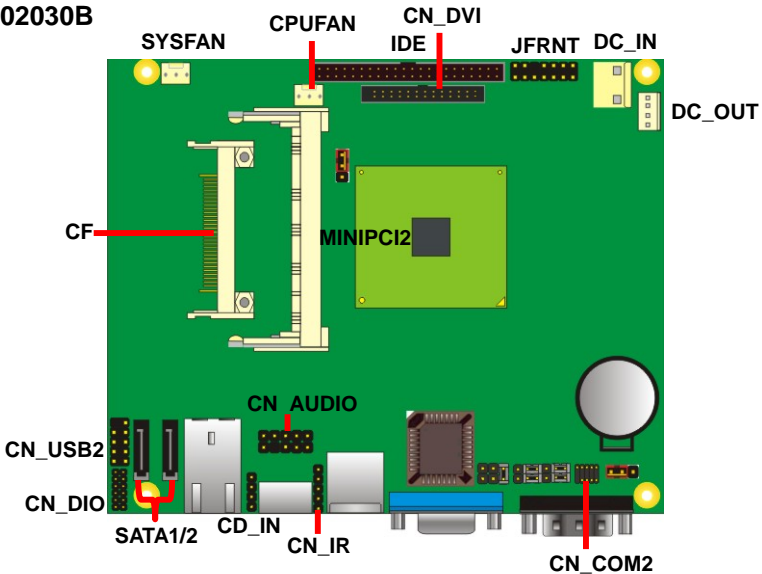
Chapter 2 <Hardware Setup>

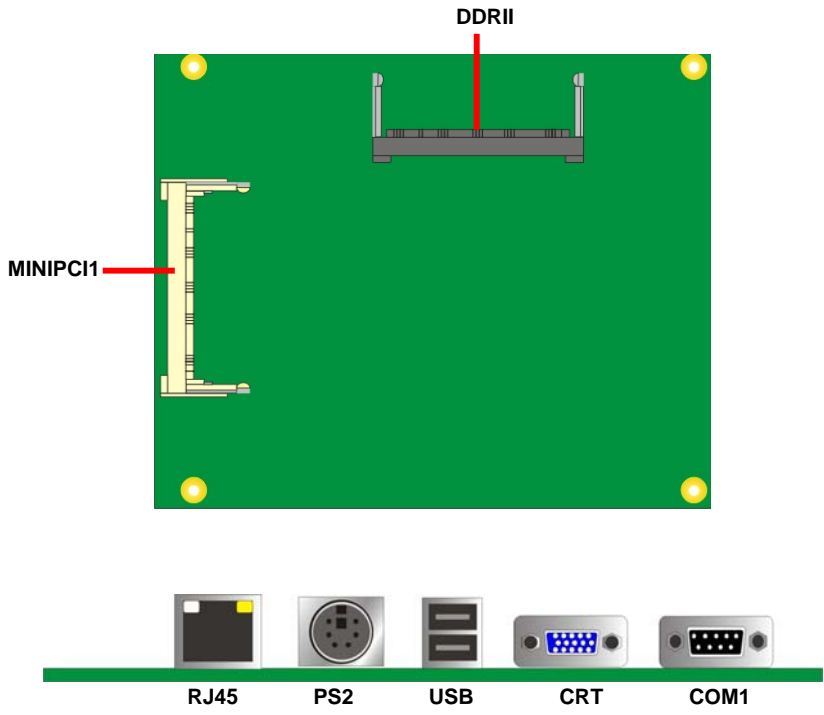
2.1 <Connector Location>

(1) 3302030A



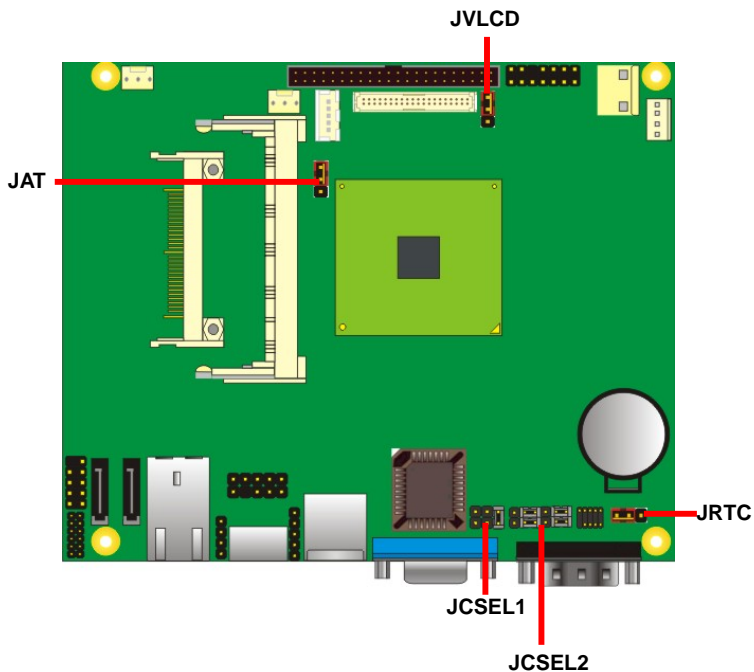
(2) 3302030B





2.2 <Jumper Reference>

Jumper	Function
JRTC	CMOS Operating/Clear Setting
JVLCD	LCD Panel Voltage Setting
JAT	AT Mode
JCSEL1/2	COM2 RS232/422/485 mode setting



2.3 <Connector Reference>

2.3.1 <Internal Connector>

Connector	Function	Remark
DDR2	200 -pin DDR2 SO-DIMM SDRAM slot	
SATA1/2	7-pin Serial ATA connector	
CN_AUDIO	5 x 2-pin audio connector	
CD_IN	4-pin CD-ROM audio input connector	
CN_DIO	6 x 2-pin digital I/O connector	
CN_USB2	5 x 2-pin USB connector	
CPUFAN	3-pin CPU cooler fan connector	
SYSFAN	3-pin system cooler fan connector	
CN_COM2	5 x 2-pin com connector	
CN_IR	5-pin IrDA connector	
CF	Compact Flash Type II socket	
CN_LVDS	20 x 2-pin LVDS connector	3302030A
CN_INV	5-pin LCD inverter connector	3302030A
DC_OUT	4-pin power output connector	
DC_IN	3-pin power input connector	
MINIPCI1/2	Mini-PCI socket	
CN_DVI	13 x 2-pin DVI interface	3302030B
JFRNT	14-pin switch/indicator connector	

2.3.2 <External Connector>

Connector	Function	Remark
CRT	DB15 VGA connector	
USB	Dual USB 2.0 connector	
COM1	DB9 Serial port connector	
RJ45	One RJ45 LAN connector	
PS2	PS/2 keyboard and mouse connector	

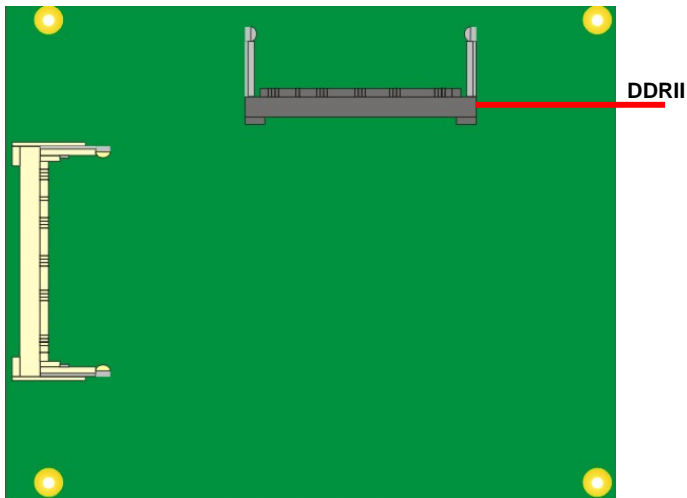
2.4 <CPU and Memory Setup>

2.4.1 < CPU>

The board comes with the VIA V4 Eden 1GHz processor , it supports new generation of VIA V4 Eden 1GHz processor with 400MHz of front side bus and 2MB L2 cache. Please follow the instruction to install the CPU properly.

2.4.2 <Memory>

The board provides one 200-pin DDR2 SO-DIMM to support DDR2 400/533 memory modules up to 1GB of capacity. Non-ECC, unbuffered memory is supported only. While applying two same modules, dual channel technology is enabled automatically for higher performance.



2.5 <CMOS ATX Setup>

The board's data of CMOS can be setting in BIOS. If the board refuses to boot due to inappropriate CMOS settings, here is how to proceed to clear (reset) the CMOS to its default values.

Jumper: **JRTC**

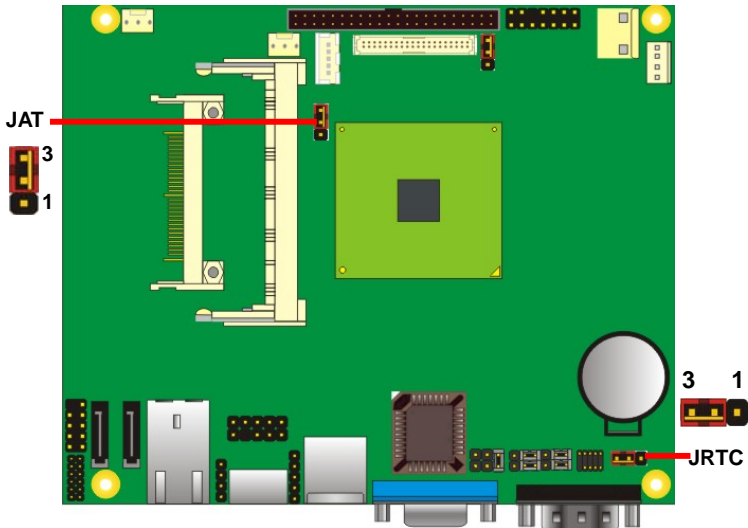
Type: Onboard 3-pin jumper

JRTC	Mode
1-2	Clear CMOS
2-3	Normal Operation
Default setting	2-3

Jumper: **JAT**

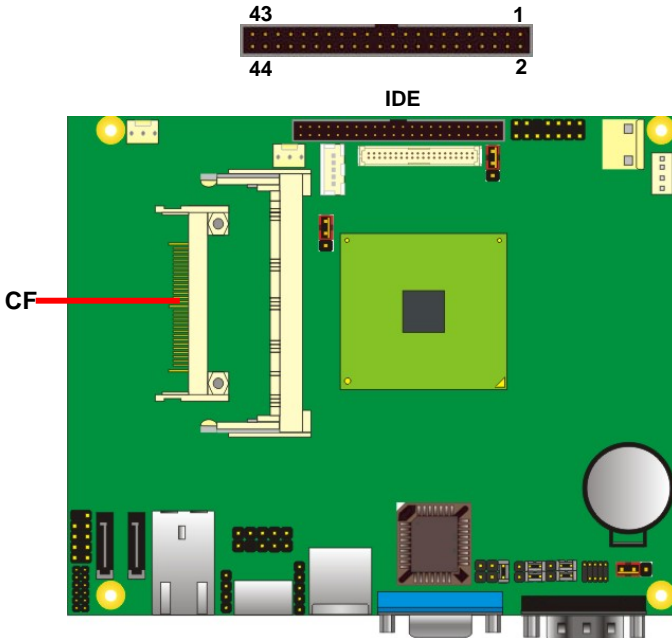
Type: onboard 3-pin header

JAT	Mode
1-2	AT Mode
2-3	ATX Mode
Default setting	2-3



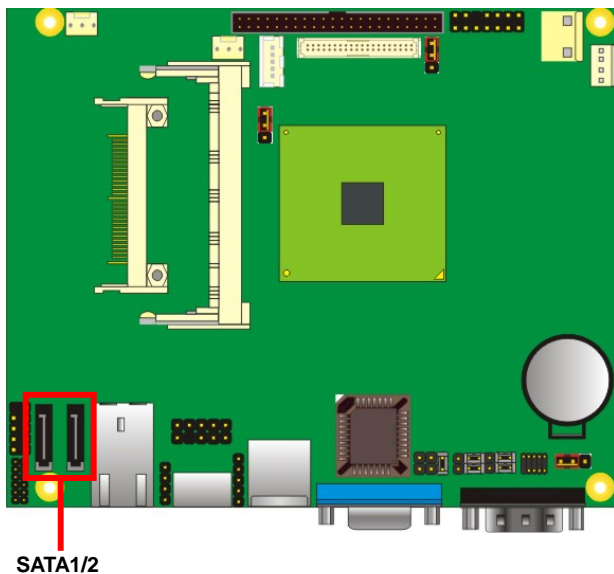
2.6 <Enhanced IDE & CF interface>

The board supports one UltraDMA133 IDE interface, and one CompactFlash Type II socket with secondary IDE mode, the 44-pin IDE connector can support up to 2 ATAPI devices through IDE cable, and the CompactFlash socket can support IDE DMA mode (depends on the CF card specification).



2.7 <Serial ATA Interface>

Based on VIA CX700M, the board provides two Serial ATA interfaces with up to 300MB/s of transfer rate.



2.8 <LAN Interface>

The Realtek RTL8110S-32 supports triple speed of 10/100/1000Base-T, with IEEE802.3 compliance and Wake-On-LAN supported.



2.9 <Onboard Display Interface>

Based on VIA CX700M chipset with built-in GMA (Graphic Media Accelerator) 950 graphics, the board provides one DB15 connector on rear external I/O port, and one 40-pin LVDS interface with 5-pin LCD backlight inverter connector. The board provides dual display function with clone mode and extended desktop mode for CRT and LCD or DVI .

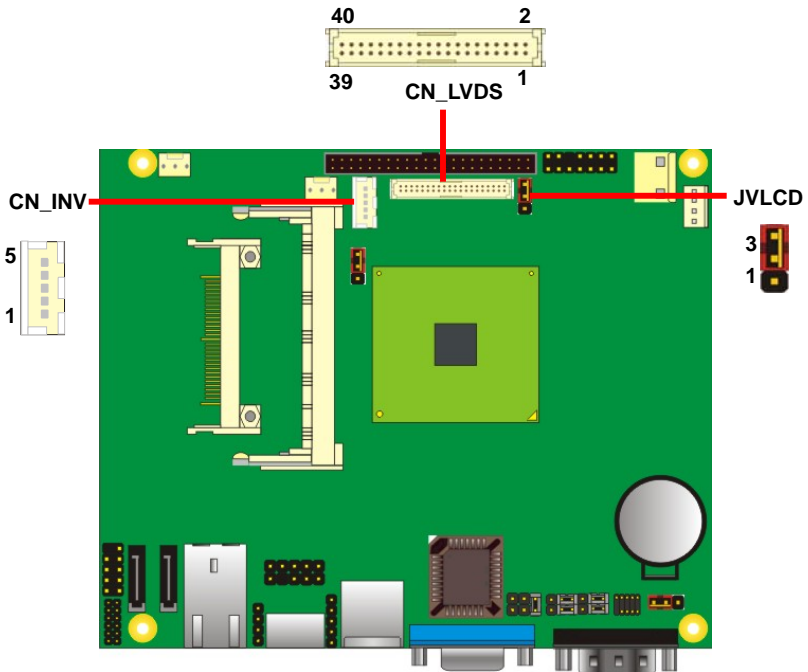
2.9.1 <Analog VGA Interface>

Please connect your CRT or LCD monitor with DB15 male connector to the onboard DB15 female connector on rear I/O port.



2.9.2 <Digital Display>

The board provides one 40-pin LVDS connector for 18/24-bit dual channel panels, supports up to 1600 x 1200 (UXGA) of resolution, with one LCD backlight inverter connector and one jumper for panel voltage setting. (3302030A Only)



Connector: **CN_INV**

Type: 5-pin LVDS Power Header

Connector model: **JST B5B-XH-A**

Pin	Description
1	+12V
2	GND
3	GND
4	GND
5	ENABKL

Connector: **JVLCD**

Type: 3-pin Power select Header

Pin	Description
1	VCC(5V)
2	LCDVCC
3	VCC(3.3V)

Connector: **CN_LVDS**

Type: onboard 40-pin connector for LVDS connector

Connector model: **HIROSE DF13-40DP-1.25V**

Pin	Signal	Pin	Signal
2	LCDVCC	1	LCDVCC
4	GND	3	GND
6	ATX0-	5	BTX0-
8	ATX0+	7	BTX0+
10	GND	9	GND
12	ATX1-	11	BTX1-
14	ATX1+	13	BTX1+
16	GND	15	GND
18	ATX2-	17	BTX2-
20	ATX2+	19	BTX2+
22	GND	21	GND
24	ACLK-	23	BTX3-
26	ACLK+	25	BTX3+
28	GND	27	GND
30	ATX3-	29	BCLK-
32	ATX3+	31	BCLK+
34	GND	33	GND
36	N/C	35	N/C
38	N/C	37	N/C
40	N/C	39	N/C

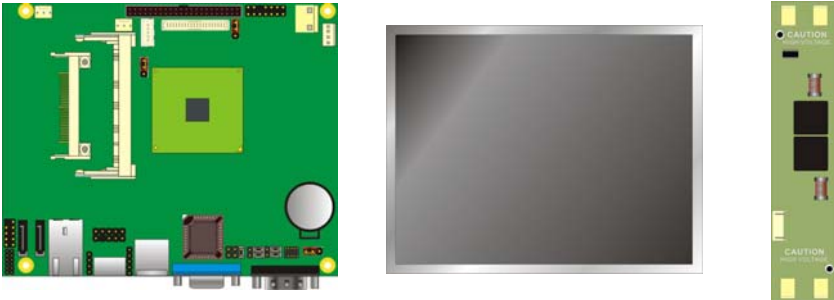
To setup the LCD, you need the component below:

1. A panel with LVDS interfaces.
2. An inverter for panel's backlight power.
3. A LCD cable and an inverter cable.

For the cables, please follow the pin assignment of the connector to make a cable, because every panel has its own pin assignment, so we do not provide a standard cable; please find a local cable manufacture to make cables.

LCD Installation Guide:

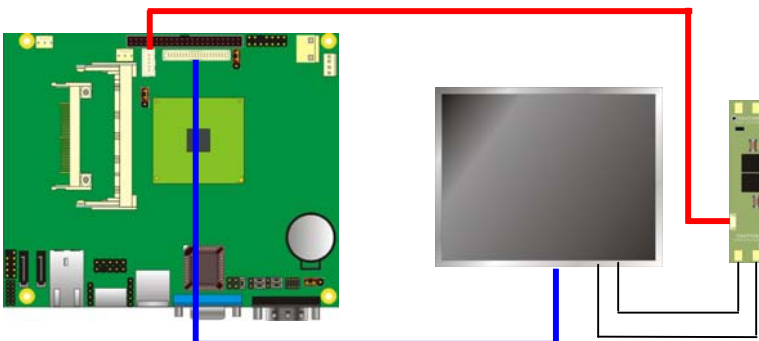
1. Preparing the 3302030A, **LCD panel** and the **backlight inverter**.



2. Please check the datasheet of the panel to see the voltage of the panel, and set the jumper **JVLCD** to +5V or +3.3V.
3. You would need a LVDS type cable.



4. To connect all of the devices well.



After setup the devices well, you need to select the LCD panel type in the BIOS.

The panel type mapping is list below:

3302030 BIOS panel type selection form			
NO.	Resolution	Color	Channel
0	640 x 480	18	1
1	800 x 600	18	1
2	1024 x 768	18	1
3	1280 x 768	18	1
4	1280 x 1024	18	2
5	1400 x 1050	18	2
6	1600 x 1200	18	2
7	1280 x 800	18	1
8	800 x 480	18	1
9	1024 x 768	18	2
A	1024 x 768	24	1
B	1024 x 768	24	2
C	1280 x 768	24	1
D	1280 x 1024	24	2
E	1400 x 1050	24	2
F	1600 x 1200	24	2

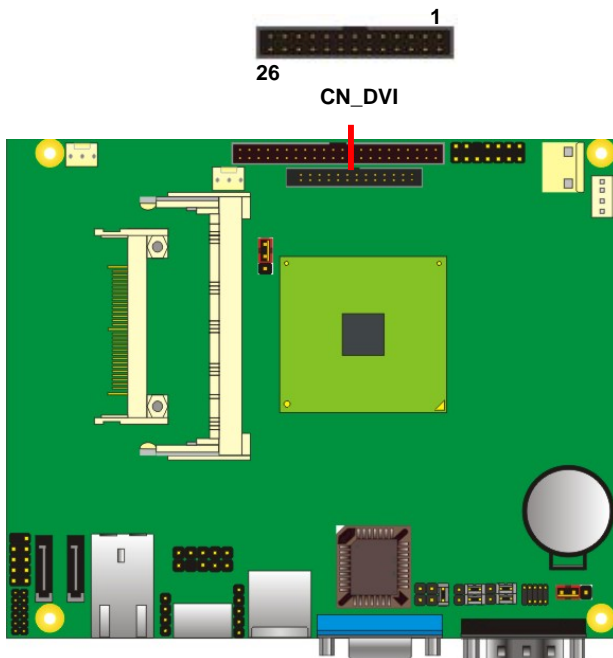
2.9.3 <DVI Interface >

The board also comes with a DVI interface with VIA CX700M for digital video interface.

Connector: **CN_DVI (3302030B Only)**

Connector type: 26-pin header connector (pitch = 2.54mm)

Pin Number	Assignment	Pin Number	Assignment
1	TX1+	2	TX1-
3	Ground	4	Ground
5	TXC+	6	TXC-
7	Ground	8	PVDD
9	N/C	10	N/C
11	TX2+	12	TX2-
13	Ground	14	Ground
15	TX0+	16	TX0-
17	N/C	18	HPDET
19	DDC_DATA	20	DDCCLK
21	GND	22	N/C
23	N/C	24	N/C
25	N/C	26	N/C



2.10 <Onboard Audio Interface>

T The board provides the onboard HD audio interface with VIA VT1708A

Connector: CN_AUDIO

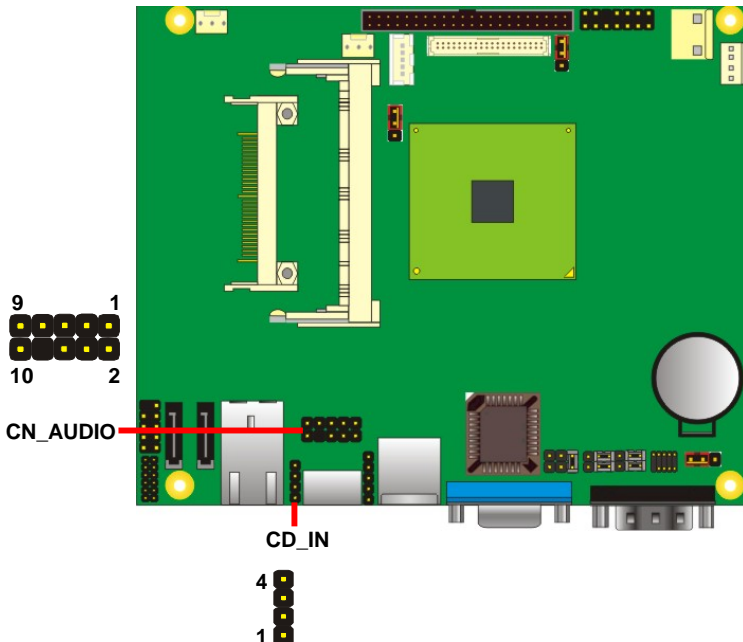
Type: 10-pin (2 x 5) header (pitch = 2.54mm)

Pin	Description	Pin	Description
1	MIC_L	2	Ground
3	MIC_R	4	ACZ_DET
5	Speaker_R	6	MIC Detect
7	SENSE	8	N/C
9	Speaker_L	10	Speaker Detect

Connector: CD_IN

Type: 4-pin header (pitch = 2.54mm)

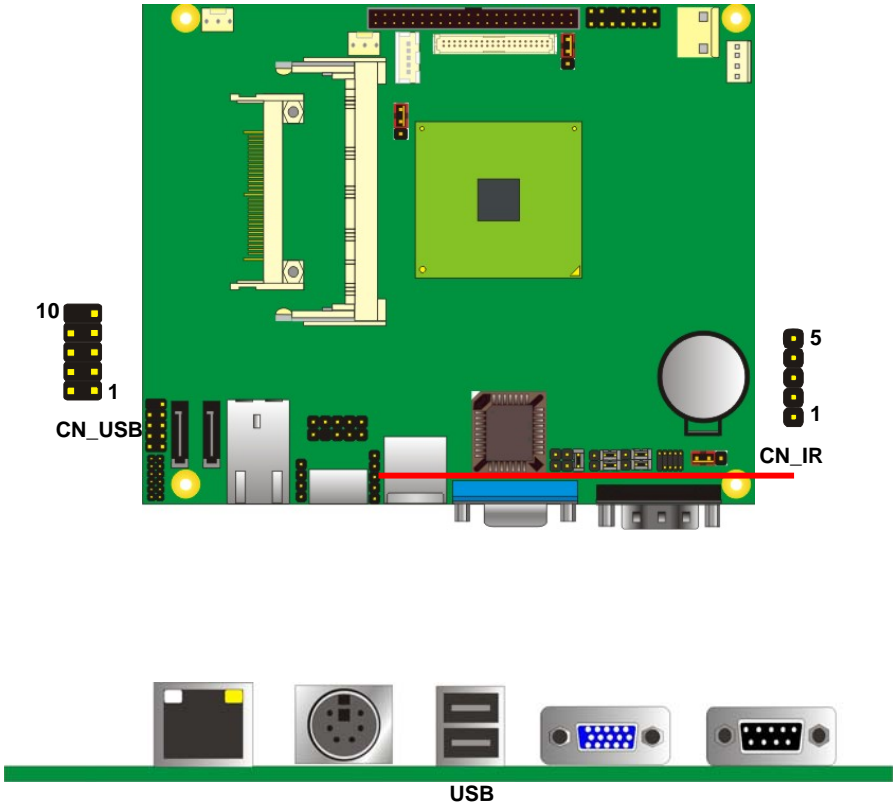
Pin	Description
1	CD – Left
2	Ground
3	Ground
4	CD – Right



2.11 <USB2.0 Interface>

Based on VIA CX700M , the board provides 4 USB2.0 ports. The USB2.0 interface provides up to 480Mbps of transferring rate.

Interface	USB2.0
Controller	CX700M
Transfer Rate	Up to 480Mb/s
Output Current	500mA



Connector: **CN_IR**

Type: 5-pin header for SIR Port

Pin	Description
1	Vcc
2	N/C
3	IRRX
4	Ground
5	IRTX

Connector: **CN_USB**

Type: 10-pin (5 x 2) header for USB Port

Pin	Description	Pin	Description
1	VCC	2	VCC
3	Data0-	4	Data1-
5	Data0+	6	Data1+
7	Ground	8	Ground
9	Ground	10	N/C

PS: The USB2.0 will be only active when you connecting with the USB2.0 devices, if you insert an USB1.1 device, the port will be changed to USB1.1 protocol automatically. The transferring rate of USB2.0 as 480Mbps is depending on device capacity, exact transferring rate may not be up to 480Mbps.

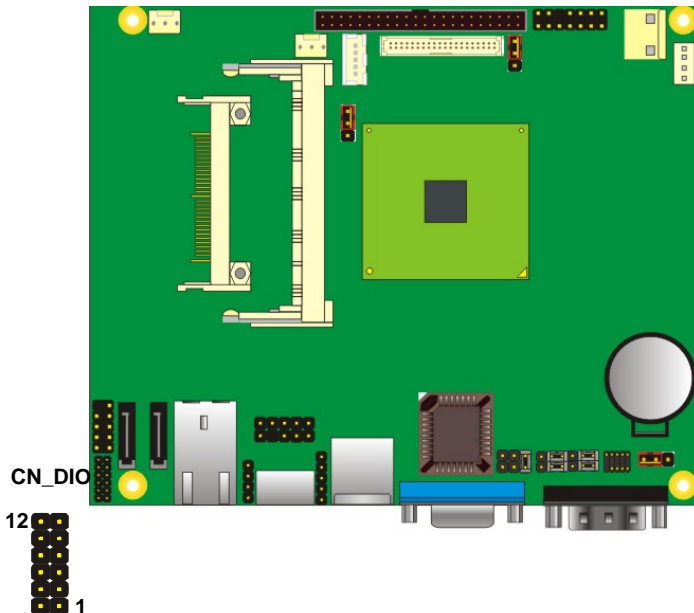
2.12 <GPIO Interface>

The board provides a programmable 8-bit digital I/O interface; you can use this general purpose I/O port for system control like POS or KIOSK.

Connector: **CN_DIO**

Type: onboard 2 x 6-pin header, pitch=2.0mm

Pin	Description	Pin	Description
1	Ground	2	Ground
3	GP0	4	GP4
5	GP1	6	GP5
7	GP2	8	GP6
9	GP3	10	GP7
11	VCC	12	+12V



2.13 <Serial Port Jumper Setting >

The board provides two RS232 serial ports, with jumper selectable RS422/485 for COM2.

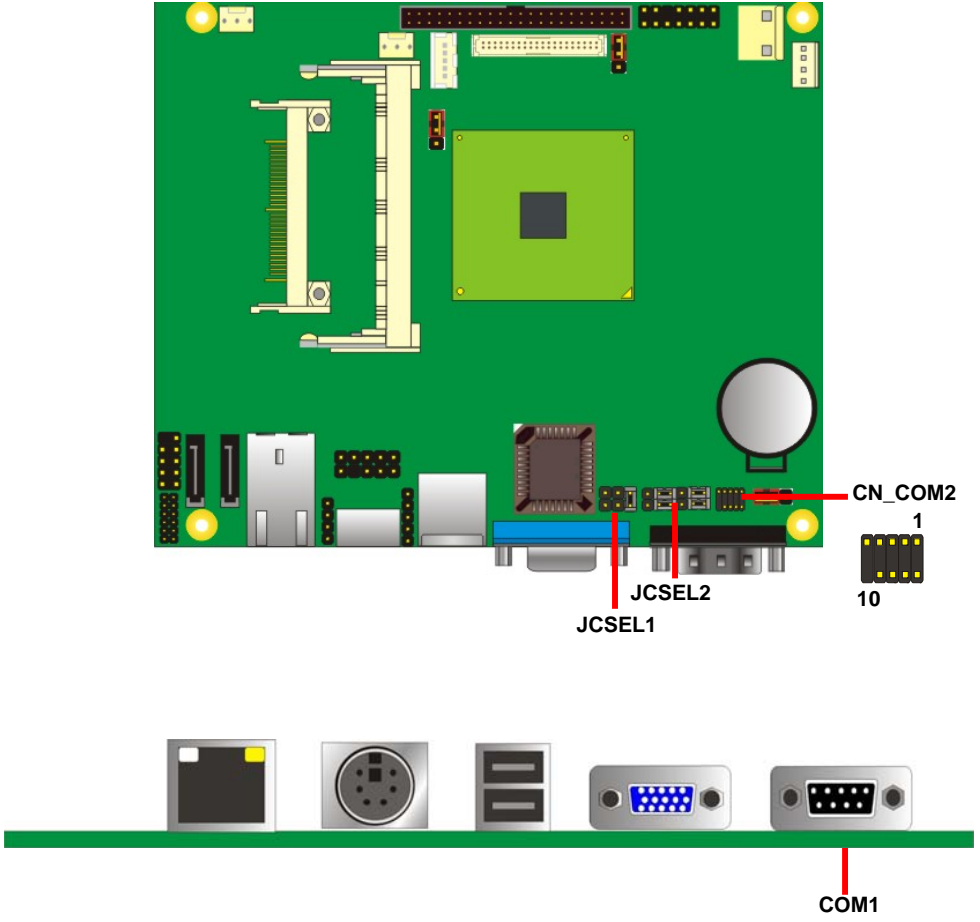
Connector: **CN_COM2**

Type: 10-pin (5 x 2) 1.27mm x 2.54mm-pitch header for COM2



Pin	Description	Pin	Description
1	DCD/422RX-/485-	2	RXD/422RX+/485+
3	TXD/422TX+	4	DTR/422TX-
5	GND	6	DSR
7	RTS	8	CTS
9	RI	10	N/C

	JCSEL1	JCSEL2
RS-232		
RS-485		
RS-422		



2.14 <Power and Fan Connector>

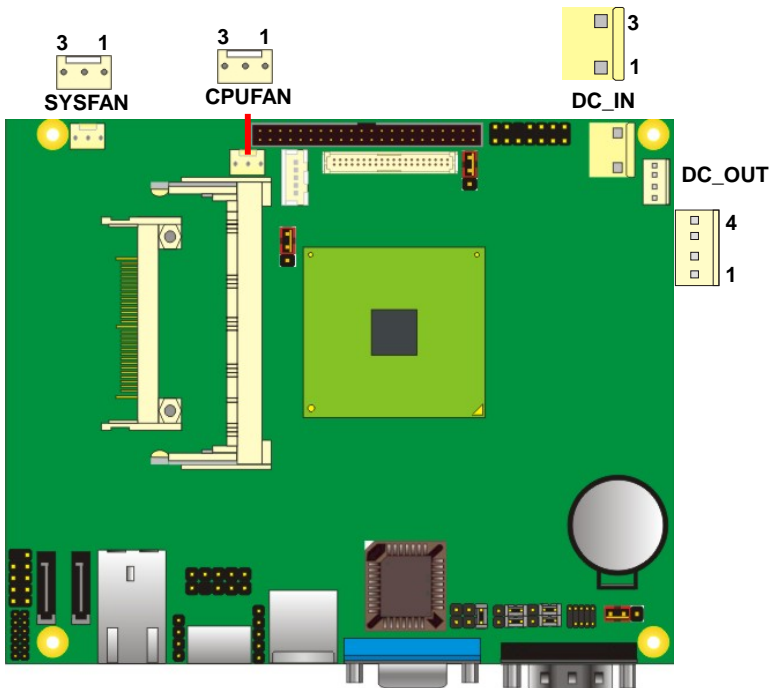
The board requires DC input with 3-pin header, input voltage range is from 8V to 24V, for the input current, please take a reference of the power consumption report on appendix.

2.15.1 <Power Input>

Connector: **DC_IN**

Pin	Description	Pin	Description	Pin	Description
1	DC_IN	2	NC	3	Ground

Remark: DC input voltage range 8~24V



2.14.2 <Power Output>

Connector: **DC_OUT**

Type: 4-pin connector for +5V/+12V **output**

Pin	Description	Pin	Description	Pin	Description	Pin	Description
1	+12V	2	Ground	3	Ground	4	+5V

2.14.3 <Fan Connector>

Connector: **SYSFAN, CPUFAN**

Type: 3-pin fan wafer connector

Pin	Description	Pin	Description	Pin	Description
1	Ground	2	+12V	3	Fan Speed detect

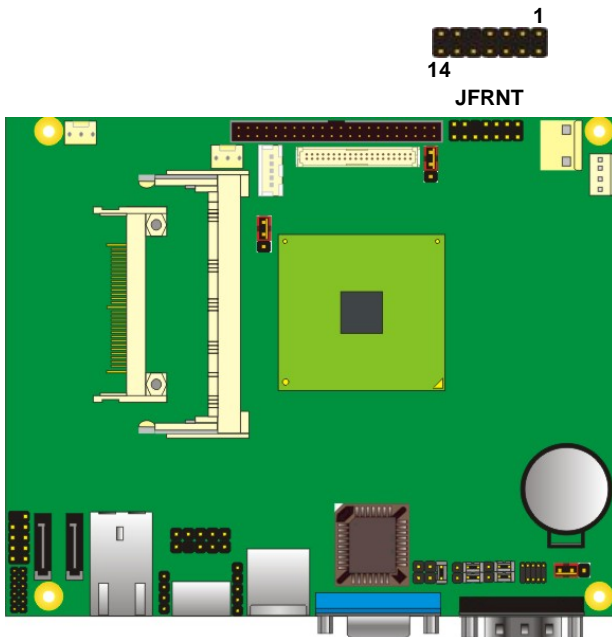
2.15 <Indicator and Switch>

The **JFRNT** provides front control panel of the board, such as power button, reset and beeper, etc. Please check well before you connecting the cables on the chassis.

Connector: **JFRNT**

Type: onboard 14-pin (2 x 7) 2.54-pitch header

Function	Signal	PIN		Signal	Function
IDE LED	HDLED+	1	2	PWRLED+	Power LED
	HDLED-	3	4	N/C	
Reset	Reset+	5	6	PWRLED-	Speaker
	Reset-	7	8	SPK+	
N/C		9	10	N/C	
Power Button	PWRBT+	11	12	N/C	
	PWRBT-	13	14	SPK-	



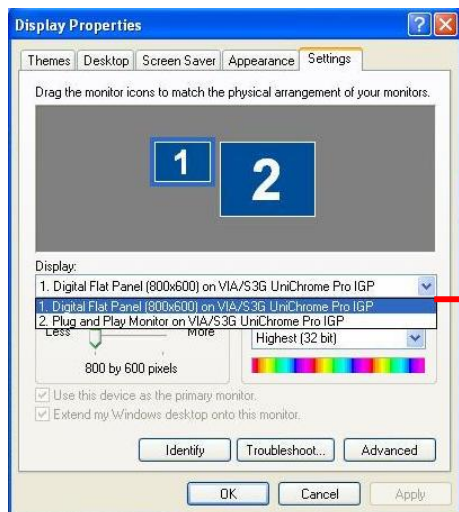
(This Page is Left For Blank)

Chapter 3 <System Setup>

3.1 <Display Configuration>

The board provides onboard VGA with DB15 analog display interface, and LVDS LCD interface for digital display, when connecting two display devices, you can enable dual display function with clone mode or extended desktop mode.

Before setup the video setting, please install the VGA driver well.



Two controllers for each display device

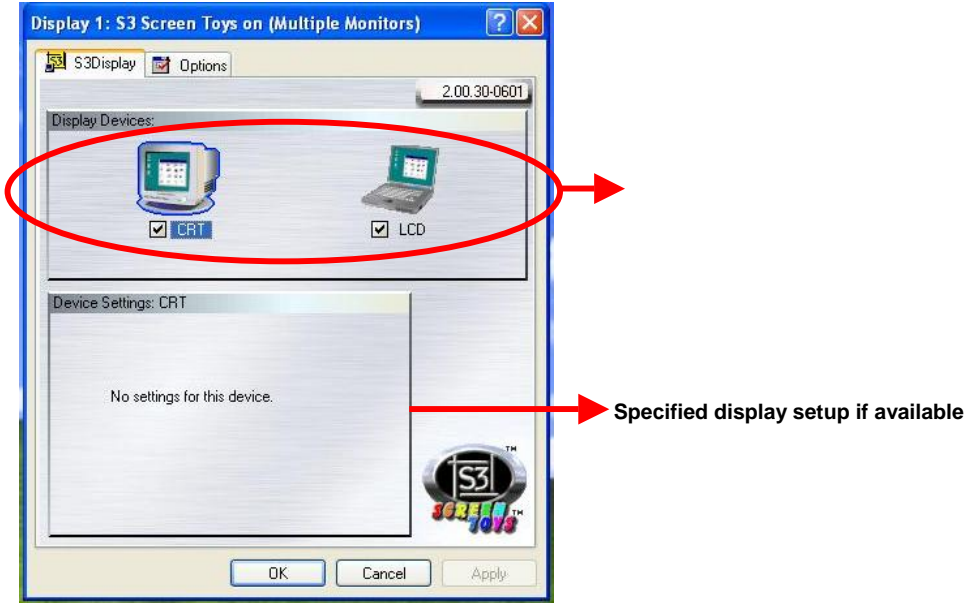


There are two options for secondary display device

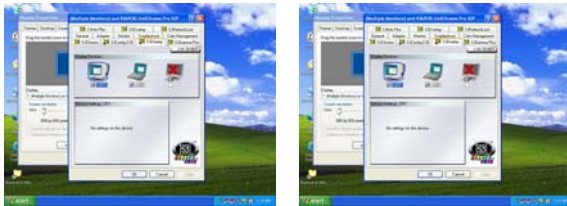


For more display properties setting, please click "Advanced" button.

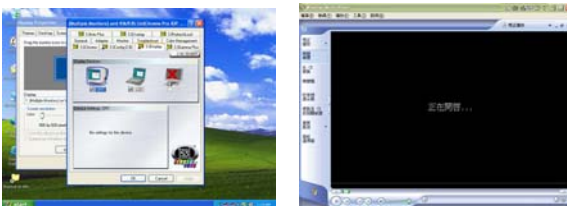
Please select S3Display for advanced device setting.



When you set dual display clone mode, you'll see the same screen display on two devices.



When you set the dual display for extended desktop mode, you can have the independent desktop on the second device.



(This Page is Left for Blank)

Appendix A <I/O Port Pin Assignment>

A.1 <IrDA Port>

Connector: **CN_IR**

Type: 5-pin header for SIR Port

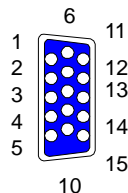


Pin	Description
1	Vcc
2	N/C
3	IRRX
4	Ground
5	IRTX

A.2 < CRT Port >

Connector: CRT

Type: 15-pin D-sub female connector on panel

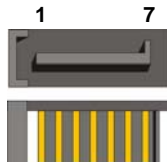


Pin	Description	Pin	Description	Pin	Description
1	RED	6	Ground	11	N/C
2	GREEN	7	Ground	12	5VCDA
3	BLUE	8	Ground	13	HSYNC
4	N/C	9	LVGA5V	14	VSYNC
5	Ground	10	Ground	15	5VCLK

A.3 <Serial ATA Port>

Connector: **SATA1/2**

Type: 7-pin wafer connector

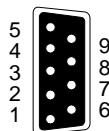


1	2	3	4	5	6	7
GND	RSATA_TXP1	RSATA_TXN1	GND	RSATA_RXN1	RSATA_RXP1	GND

A.4 <Serial Port>

Connector: **COM1**

Type: 9-pin D-sub male connector on rear panel



Pin	Description	Pin	Description
1	DCD	6	DSR
2	SIN	7	RTS
3	SO	8	CTS
4	DTR	9	RI
5	Ground		

A.5 <LAN Port>

Connector: **RJ45**

Type: RJ45 connector with LED on rear panel



Pin	1	2	3	4	5	6	7	8
Description	TX+	TX-	RX+	N/C	N/C	RX-	N/C	N/C

Appendix B <System Resources>

B1.<I/O Port Address Map>

[00000000 - 0000000F]	Direct memory access controller
[00000000 - 00000CF7]	PCI bus
[00000000 - 00000CF7]	PCI bus
[00000010 - 0000001F]	Motherboard resources
[00000020 - 00000021]	Programmable interrupt controller
[00000022 - 0000003F]	Motherboard resources
[00000040 - 00000043]	System timer
[00000044 - 0000005F]	Motherboard resources
[00000060 - 00000060]	Standard 101/102-Key or Microsoft Natural PS/2 Keyboard
[00000061 - 00000061]	System speaker
[00000062 - 00000063]	Motherboard resources
[00000064 - 00000064]	Standard 101/102-Key or Microsoft Natural PS/2 Keyboard
[00000065 - 0000006F]	Motherboard resources
[00000070 - 00000073]	System CMOS/real time clock
[00000074 - 0000007F]	Motherboard resources
[00000080 - 00000090]	Direct memory access controller
[00000091 - 00000093]	Motherboard resources
[00000094 - 0000009F]	Direct memory access controller
[000000A0 - 000000A1]	Programmable interrupt controller
[000000A2 - 000000BF]	Motherboard resources
[000000C0 - 000000DF]	Direct memory access controller
[000000E0 - 000000EF]	Motherboard resources
[000000F0 - 000000FF]	Numeric data processor
[00000170 - 00000177]	Secondary IDE Channel
[000001F0 - 000001F7]	Primary IDE Channel
[00000274 - 00000277]	ISAPNP Read Data Port
[00000279 - 00000279]	ISAPNP Read Data Port
[00000294 - 00000297]	Motherboard resources
[000002F8 - 000002FF]	Communications Port (COM2)
[00000376 - 00000376]	Secondary IDE Channel
[000003B0 - 000003BB]	VIA CPU to AGP Controller
[000003B0 - 000003BB]	VIA/S3G UniChrome Pro II IGP
[000003C0 - 000003DF]	VIA CPU to AGP Controller
[000003C0 - 000003DF]	VIA/S3G UniChrome Pro II IGP
[000003F6 - 000003F6]	Primary IDE Channel
[000003F8 - 000003FF]	Communications Port (COM1)
[00000400 - 0000047F]	Motherboard resources
[000004D0 - 000004D1]	Motherboard resources

[00000500 - 0000050F]	Motherboard resources
[00000A79 - 00000A79]	ISAPNP Read Data Port
[00000D00 - 0000BFFF]	PCI bus
[0000C000 - 0000CFFF]	PCI bus
[0000D000 - 0000FFFF]	PCI bus
[0000DE00 - 0000DEFF]	Realtek RTL8169/8110 Family Gigabit Ethernet NIC
[0000E000 - 0000EFFF]	VIA CPU to AGP Controller
[0000FC00 - 0000FC1F]	VIA Rev 5 or later USB Universal Host Controller
[0000FD00 - 0000FD1F]	VIA Rev 5 or later USB Universal Host Controller
[0000FE00 - 0000FE1F]	VIA Rev 5 or later USB Universal Host Controller
[0000FF00 - 0000FF0F]	VIA Bus Master IDE Controller - 0581

B2.<Memory Address Map>

[00000000 - 0009FFFF]	System board
[000A0000 - 000BFFFF]	PCI bus
[000A0000 - 000BFFFF]	PCI bus
[000A0000 - 000BFFFF]	VIA CPU to AGP Controller
[000A0000 - 000BFFFF]	VIA/S3G UniChrome Pro II IGP
[000C0000 - 000DFFFF]	PCI bus
[000F0000 - 000FFFFF]	System board
[00100000 - 3BEDFFFF]	System board
[3BEE0000 - 3BEFFFFF]	System board
[3BF00000 - 9FEFFFFF]	PCI bus
[9FF00000 - 9FFFFFFF]	PCI bus
[9FFFC000 - 9FFFFFFF]	Microsoft UAA Bus Driver for High Definition Audio
[A0000000 - BFFFFFFF]	VIA CPU to AGP Controller
[A0000000 - BFFFFFFF]	VIA/S3G UniChrome Pro II IGP
[A0000000 - FEBFFFFF]	PCI bus
[D0000000 - D7FFFFFF]	VIA CPU to AGP Controller
[D0000000 - DDFFFFFF]	VIA/S3G UniChrome Pro II IGP
[DD000000 - DEFFFFFF]	VIA CPU to AGP Controller
[DFEFF000 - DFEFF0FF]	Realtek RTL8169/8110 Family Gigabit Ethernet NIC
[DFFFF000 - DFFFF0FF]	VIA USB Enhanced Host Controller
[E0000000 - EFFFFFFF]	Motherboard resources
[F0000000 - F000FFFF]	Motherboard resources
[FEC00000 - FEC00FFF]	System board
[FEE00000 - FEE00FFF]	System board
[FFF80000 - FFFEFFFF]	System board
[FFFF0000 - FFFFFFFF]	System board

B3.<System IRQ Resources>

(ISA) 0	System timer
(ISA) 1	Standard 101/102-Key or Microsoft Natural PS/2 Keyboard
(ISA) 3	Communications Port (COM2)
(ISA) 4	Communications Port (COM1)
(ISA) 8	System CMOS/real time clock
(ISA) 9	Microsoft ACPI-Compliant System
(ISA) 12	PS/2 Compatible Mouse
(ISA) 13	Numeric data processor
(ISA) 14	Primary IDE Channel
(ISA) 15	Secondary IDE Channel
(PCI) 16	VIA/S3G UniChrome Pro II IGP
(PCI) 17	Microsoft UAA Bus Driver for High Definition Audio
(PCI) 17	Realtek RTL8169/8110 Family Gigabit Ethernet NIC
(PCI) 20	VIA Rev 5 or later USB Universal Host Controller
(PCI) 21	VIA Rev 5 or later USB Universal Host Controller
(PCI) 22	VIA Rev 5 or later USB Universal Host Controller
(PCI) 23	VIA USB Enhanced Host Controller

(This Page is Left for Blank)

Any advice or comments about our products and service, or anything we can help you with please don't hesitate to contact with us. We will do our best to support your products, projects and business.



Address: Global American, Inc.
17 Hampshire Drive
Hudson, NH 03051

Telephone: Toll Free (U.S. Only) 800-833-8999
(603)886-3900

FAX: (603)886-4545

Website: <http://www.globalamericaninc.com>
E-Mail: salesinfo@globalamericaninc.com

