



User's Manual

3907630

Copyright

Copyright© 2002, 2003. All rights reserved. This document is copyrighted and all rights are reserved. The information in this document is subject to change without prior notice to make improvements to the products.

This document contains proprietary information and protected by copyright. No part of this document may be reproduced, copied, or translated in any form or any means without prior written permission of the manufacturer.

All trademarks and/or registered trademarks contains in this document are property of their respective owners.

Disclaimer

The company shall not be liable for any incidental or consequential damages resulting from the performance or use of this product.

The company does not issue a warranty of any kind, express or implied, including without limitation implied warranties of merchantability or fitness for a particular purpose.

The company has the right to revise the manual or include changes in the specifications of the product described within it at any time without notice and without obligation to notify any person of such revision or changes.

Trademark

All trademarks are the property of their respective holders.

1. Product Overview

3907630 is a Mini-PCI card for multimedia solution. This card integrated **Conexant Bt878A** video capture codec and **Realtek ALS4000/ALC650** AC'97 audio codec. The **Bt878A** allows for capture of teletext and other data types, and the **ALS4000/ALC650** audio codec can provide you 2-channel/6-channel audio output.

The General features of **Conexant Bt878A** are below:

1. Supports NTSC/PAL/SECAM Video decoding.
2. Supports image resolution up to 768 x 576 (full PAL resolution).
3. Supports complex clipping of video source.
4. Zero wait state PCI burst writes.
5. Field/ Frame masking supports to throttle bandwidth to target.
6. Multiple YCrCb and RGB pixel formats supported output.
7. Image size scalable down to icon using vertical & horizontal interpolation filtering.
8. Multiple composite and S-Video inputs.
9. Supports different program control for even and odd fields.
10. Supports different color space/scaling factors for even and odd fields.
11. Supports planar YUV data format.
12. Supports for mapping of video to 255 color palette.
13. VBI data capture for closed captioning teletext and Intercast data decoding.

The general features of **Realtek ALS4000** are listed below:

1. Single, mixed-signal, high performance VLSI chip.
2. Compatible with DirectSound® & DirectSound3D®, Sound Blaster™, Sound Blaster Pro™.
3. Supports DDMA, Avance Legacy Support for legacy DMAC emulation.
4. Avance ALSFM synthesizer.
5. 3D Effects Processor.
6. 16-bit full-duplex for concurrent recording and playback.

The general features of **Realtek ALC650** are listed below:

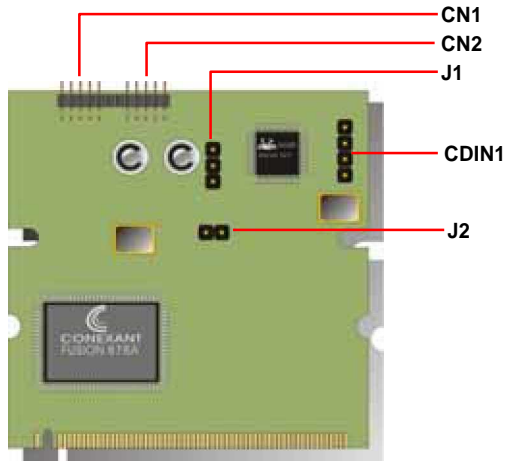
1. 18-bit ADC and 20-bit DAC resolution.
2. Compliant with AC'97 2.2 specifications.
3. 18-bit stereo full-duplex CODEC with independent and variable sampling rate.
4. 6 channel slot selectable DAC output for multi-channel applications.
5. 3D Stereo enhancement.
6. Digital S/PDIF output.
7. Digital S/PDIF input.

2. Product Specification:

Form Factor	Mini-PCI Type III with 124-pin interface
3907630	
Video Codec	Conexant Bt878A
Audio Codec	Realtek ALC650
Output Function	10-pin video-in connector 10-pin 5.1 channel audio connector 2-pin SPDIF digital audio connector 4-pin CD-in connector
Mechanical Requirement	Two screw holes
Dimensions (W x D)	60mm x 60.75mm
Accessories	
3907630	1 x 10-pin audio cable 1 x 10-pin video cable

3. Hardware setup:

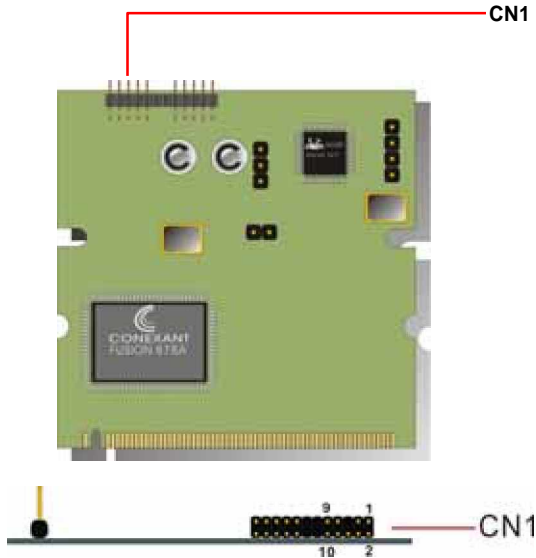
3.1 Jumper and Connector



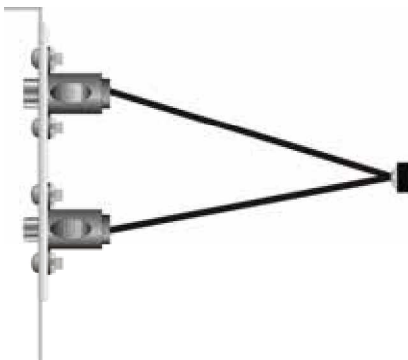
3907630

3.2 Video In for 3907630

The board's video in function can let you build a video recorder system. The CN1 is a 10-pin header to connect the S-Video/RCA cable in package, or you can follow the pin mapping to create a cable.



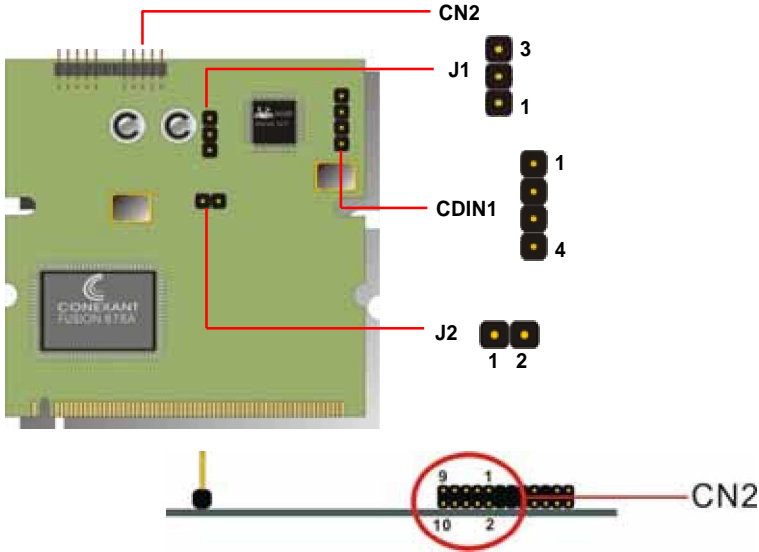
Pin Assignment	Pin Number	Pin Number	Pin Assignment
Ground	1	2	COMPVIDEO
Ground	3	4	Y
Ground	5	6	C
Ground	7	8	TV-IN
Ground	9	10	FM-IN



Please use this cable to connect to CN1

3.2 5.1 channel Audio for 3907630

The **3907630** built-in a 5.1 channel audio codec, the 10-pin header of **CN2** can let you connect the audio cable in the package for Line-out/Front, Line-in/Rear and MIC-in/Center. The 4-pin **CDIN1** can let you connect the audio port with CD-ROM. The 2-pin **J2** header can let you connect a RCA jack for SPDIF input/output through the jumper **J1** to set.



Jumper: J1

Type: onboard 3-pin header

J2	Mode
1-2	S/P DIF Output
2-3	S/P DIF Input

Default setting

Connector: J2

Type: onboard 2-pin header

Pin number	Assignment
1	Ground
2	SPDIF

Connector: CDIN1

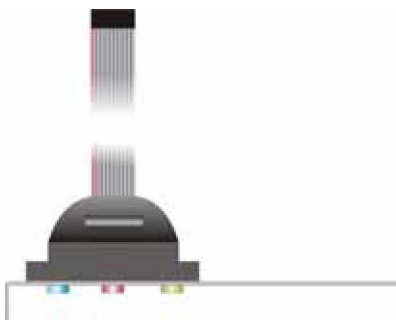
Type: 4-pin header

Pin	Description
1	CD – Left
2	Ground
3	Ground
4	CD – Right

Connector: CN2

Connector type: Onboard 2x 5pin bend 90 degree, pitch=2.0mm

Pin Assignment	Pin Number	Pin Number	Pin Assignment
LINE_L	1	2	Ground
LINE_R	3	4	MIC1
MIC2	5	6	Ground
N/C	7	8	SPK_L
SPK_R	9	10	Ground



Please use this cable
to connect to CN2

Any advice or comments about our products and service, or anything we can help you with please don't hesitate to contact with us. We will do our best to support you for your products, projects and business

Global American Inc.

Address: 17 Hampshire Drive
Hudson, NH 03051

TEL: Toll Free (U.S. Only) 800-833-8999
(603) 886-3900

FAX: (603) 886-4545

Website: <http://www.globalamericaninc.com>

E-Mail: salesinfo@globalamericaninc.com

