



Quick Installation Guide

3907644

3907644 Quick Installation Guide

Copyrights

This manual is copyrighted and all rights are reserved. It does not allow any non authorization in copied, photocopied, translated or reproduced to any electronic or machine readable form in whole or in part without prior written consent from the manufacturer.

In general, the manufacturer will not be liable for any direct, indirect, special, incidental or consequential damages arising from the use of inability to use the product or documentation, even if advised of the possibility of such damages. The manufacturer keeps the rights in the subject to change the contents of this manual without prior notices in order to improve the function design, performance, quality and reliability. The author assumes no responsibility for any errors or omissions, which may appear in this manual, nor does it make a commitment to update the information contained herein.

Trademarks

Intel is a registered trademark of Intel Corporation.

Award is a registered trademark of Award Software, Inc.

All other trademarks, products and or product's name mentioned herein are mentioned for identification purposes only, and may be trademarks and/or registered trademarks of their respective companies or owners.

3907644 Quick Installation Guide

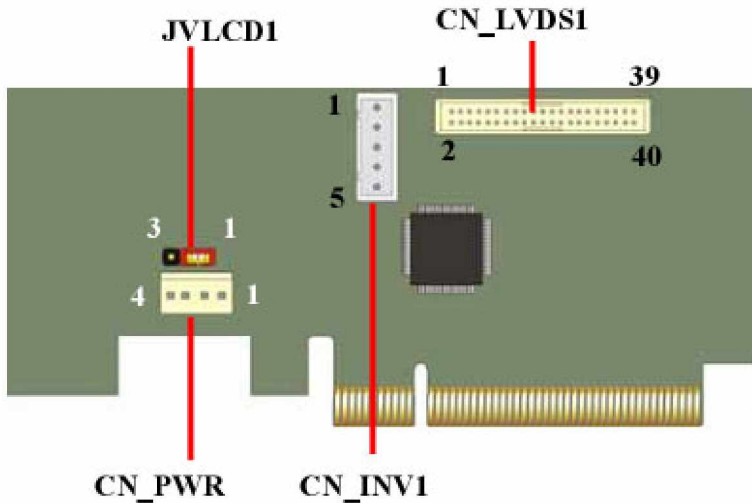
PCI Express SDVO Interface Module 4.1" (104.35mm) x1.67" (42.52 mm)

- Chronitel CH7308A-TF LVDS SDVO transmitter chipset
- Single / Dual LVDS transmitter up to 140 Mega Pixels/s
- Panel fitting scalar, up-scale to maximum resolution of 1600 x 900
- LVDS 18-bit and 24-bit outputs

2801020 BIOS panel type selection form			
Onboard 18bit LVDS (VER:1.2)			
Single channel		Dual channel	
NO.	Output format	NO.	Output format
1	640 x 480	9	1024 x 768
2	800 x 600	10	1280 x 768
3	1024 x 768	11	1280 x 1024
4	1280 x 768	12	1366 x 768
5	1280 x 1024	13	1400 x 1050 @ 108MHz
6	1366 x 768	14	1400 x 1050 @ 122MHz
7		15	1600 x 1200
8		16	1920 x 1200
PCIE-SDVOX 24bit LVDS			
Single channel 18bit (VER:1.2S8A)		Dual channel 18bit	
NO.	Output format	NO.	Output format
1	640 x 480	1	
2	800 x 600	2	
3	1024 x 768	3	
4	1280 x 768	4	
Single channel 24bit (VER:1.2S1A)		Dual channel 24bit (VER:1.2D4A)	
NO.	Output format	NO.	Output format
1	1024 x 768	1	1024 x 768
2	1280 x 768	2	1280 x 1024
3	1280 x 1024	3	1400 x 1050
4	1366 x 768	4	1600 x 1200



PCI-Express SDVOX card for 18/24-bit dual channel LVDS Module.



Specifications	
Form Factor	PCI-Express
Controller	CHRONTEL 7308A
Output Type	18/24-bits LVDS Panel
Driver	Integrated in Intel's Graphic Driver
Operating Temperature	0 to 60 Centigrade

3907644 Quick Installation Guide

Connector: **CN_LVDS**

Type: onboard 40-pin connector for LVDS connector

Connector model: **HIROSE DF13-40DP-1.25V**

Pin	Signal	Pin	Signal
2	LCDVCC	1	LCDVCC
4	GND	3	GND
6	ATX0-	5	BTX0-
8	ATX0+	7	BTX0+
10	GND	9	GND
12	ATX1-	11	BTX1-
14	ATX1+	13	BTX1+
16	GND	15	GND
18	ATX2-	17	BTX2-
20	ATX2+	19	BTX2+
22	GND	21	GND
24	ATXCK-	23	BTX3-
26	ATXCK+	25	BTX3+
28	GND	27	GND
30	ATX3-	29	BTXCK-
32	ATX3+	31	BTXCK+
34	GND	33	GND
36	PANELCLK	35	N/C
38	PANELDATA	37	N/C
40	N/C	39	N/C

Connector: **CN_INV**

Type:

5-pin LVDS Power Header

Pin	Description
1	+12V
2	GND
3	GND
4	GND
5	ENABKL

Connector: **JVLCD1**

Type:

3-pin Power select Header

Pin	Description
1	VCC(5V)
2	LCDVCC
3	VCC3(3.3V)

Connector: **CN_PWR**

Type:

4-pin PWR connector

Pin	Description
1	+12V
2	Ground
3	Ground
4	+5V

CN_PWR Connector provide +5V to LVDS Panel .

Integrated Chrontel Chipset supports:

- LVDS low jitter PLL accepts spread spectrum input
- 2D dither engine
- Complete Windows and DOS driver support
- Onboard 40-pin connector for LVDS PN#: HIROSE DF13-40S
- (CN_PWR) Berg connector - for +5volt LVDS panels

Supported Global American Inc boards:

2801000

Mini-ITXexpress Motherboard with Intel Pentium 4 / Celeron D

2801020

Mini-ITXexpress Motherboard with Intel Pentium M / Celeron M.

Note: All Specifications are subject to change without notice

Any advice or comments about our products and service, or anything we can help you with please don't hesitate to contact with us. We will do our best to support you for your products, projects and business.

Global American Inc.

Address: 17 Hampshire Drive
Hudson, NH 03051

TEL: Toll Free (U.S. Only) 800-833-8999
(603)886-3900

FAX: (603)886-4545

Website: <http://www.globalamericaninc.com>

E-Mail: salesinfo@globalamericaninc.com

